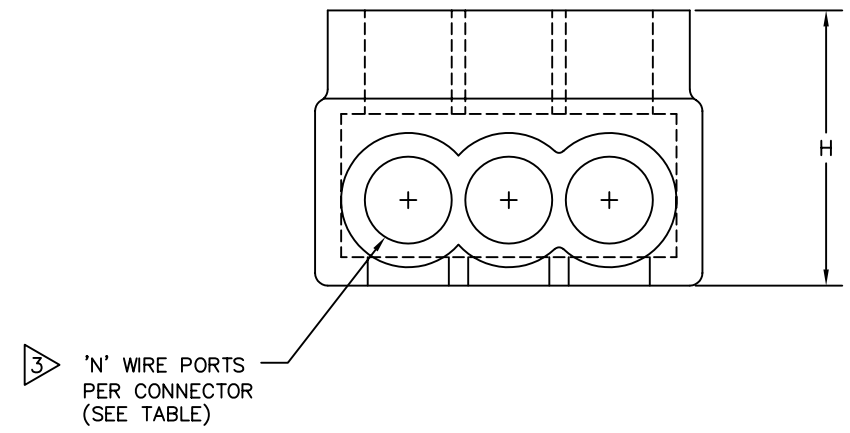
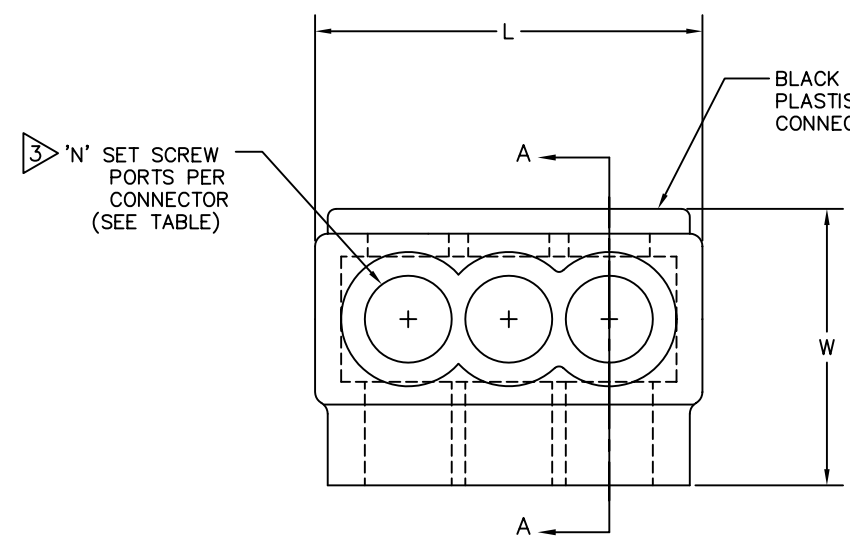


DRAWING NO. <b>SD214514</b>						
CATALOG NO.	WIRE RANGE (AWG/kcmil)	L	W	H	HEX KEY	N
1PL4-3	#14-#4	1.51 [38]	1.25 [32]	1.25 [32]	1/8	3
1PL4-4	#14-#4	1.95 [50]	1.25 [32]	1.25 [32]	1/8	4
1PL4-5	#14-#4	2.39 [61]	1.25 [32]	1.25 [32]	1/8	5
1PL4-6	#14-#4	2.83 [72]	1.25 [32]	1.25 [32]	1/8	6
1PL4-8	#14-#4	3.71 [94]	1.25 [32]	1.25 [32]	1/8	8

REV.	DATE	DESCRIPTION	ECO	BY	C'K'D.
B	9/22/06	ADDED TEXT NOTE #6	13422	PL	DB

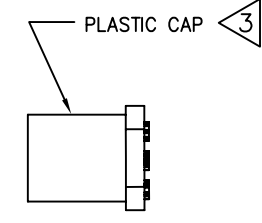
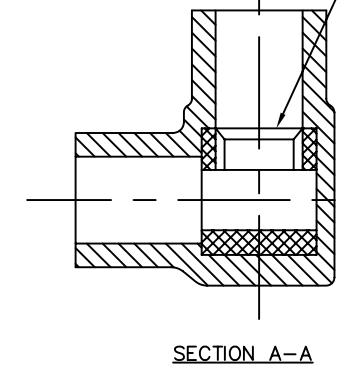
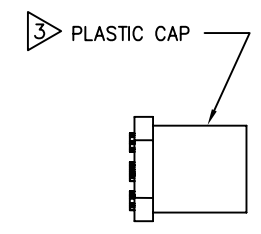
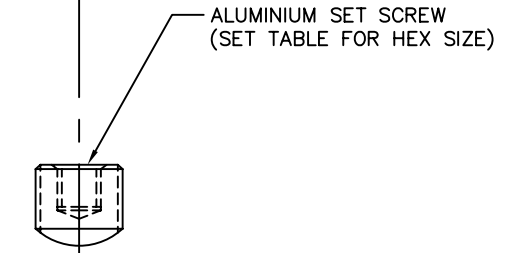
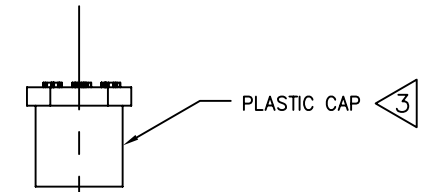
FEATURES	BENEFITS
PLASTISOL COVERED AL6061-T6 BODY	SAVES TIME, LOWERS INSTALLATION COSTS, ELIMINATES TAPING.
OXIDE-INHIBITOR IS PRE-INSTALLED	INHIBITS MOISTURE AND CONTAMINANTS FROM ENTERING THE CONTACT AREA
RANGE-TAKING	REDUCES THE NUMBER OF CONNECTORS CARRIED IN INVENTORY



BLACK PLASTISOL COVERED CONNECTOR BODY



LISTED



**NOTES:**

- THIS DRAWING TO BE INTERPRETED PER ANSI Y14.5M.
- CONNECTORS ARE SUPPLIED INDIVIDUALLY LABELED. LABEL INFORMATION INCLUDES CATALOG NUMBER, AND BARCODE.
- END CAPS INSTALLED ON WIRE PORTS AND SET SCREW PORTS.
- ALL CONNECTORS UL LISTED, CSA CERTIFIED FOR AL9CU, 90°C APPLICATIONS, UNLESS OTHERWISE NOTED.
- DIMENSIONS IN BRACKETS [ ] ARE IN MILLIMETERS ROUNDED OFF TO THE NEAREST MILLIMETER, UNLESS OTHERWISE NOTED, AND ARE FOR REFERENCE ONLY.
- UV RATED INSULATION MATERIAL.

TO ORDER BURNDY® PRODUCTS CALL 1-800-346-4175  
MANCHESTER, NH 03109, USA  
FOR PRODUCT INFO = <http://www.fciconnect.com>

**UV BLACK DISTRIBUTION CONNECTORS**

ITEM NO: N/A

CAT NO: 1PL4- SERIES (TABLE)

SCALE:	N/A
DRAWN BY:	D RAJKUMAR 4/24/02
CHECKER:	K HENRY 5/23/02
DSN APPVL:	G DITROIA 3/6/02
MFG APPVL:	T BONINA 2/27/02
QC APPVL:	J BRODEUR 3/5/02
MKT APPVL:	A ZWIT 2/27/02

<b>BURNDY PRODUCTS</b>	
DRAWING NO	SD214514
PROJECT #	---
SIZE	D
DOCUMENT TYPE	Sales
REL LEVEL	AutoCAD
SHEET	8 OF 13

REV B