



# KiloVault Unit USERS GUIDE

# KiloVault Uniti USERS GUIDE



**Note:** Read this entire document, in addition to the equipment Installation Manual, before installing or using the KiloVault Uniti. Failure to do so or to follow any of the instructions or warnings in this document can result in electrical shock, serious injury, or death, or can damage the Uniti, potentially rendering it inoperable.

## Registration



Download the KiloVault iT app and Activate the HLX+ series on the web.

This publication could include technical or other inaccuracies or typographical errors. Changes are periodically added to the information herein; these changes will be incorporated in new editions of the publication. KiloVault® may make improvements and/or changes in the services, facilities or specifications described in this publication at any time. Please note: If this unit is installed by someone other than the end-user, the installer must explain the contents of this installation and user's manual to the end-user.

# Uniti EcoFreedom 5 - What you received

**"DO NOT DISCARD CRATE AND INTERNAL PACKAGING."**



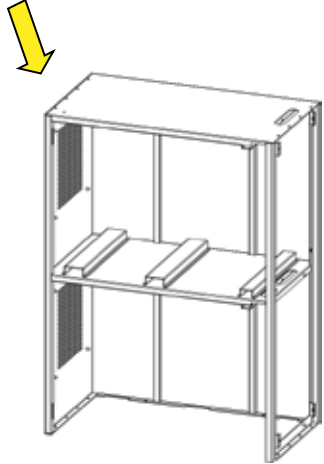
- Open the box and inspect all contents to ensure all items in the box are undamaged.

# Installing Base

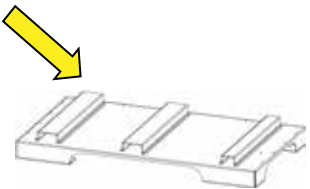
- Place the battery cabinet of the KiloVault Uniti onto the base. Using the ten bolts provided secure the Battery cabinet to the base.

**1** Prepare the required parts.

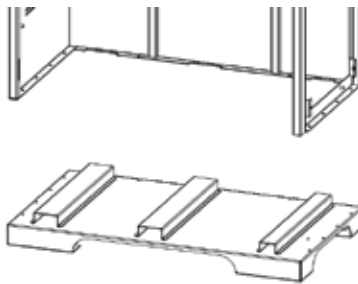
Battery Cabinet



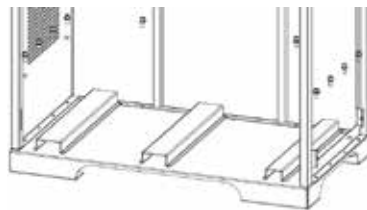
Cabinet Base



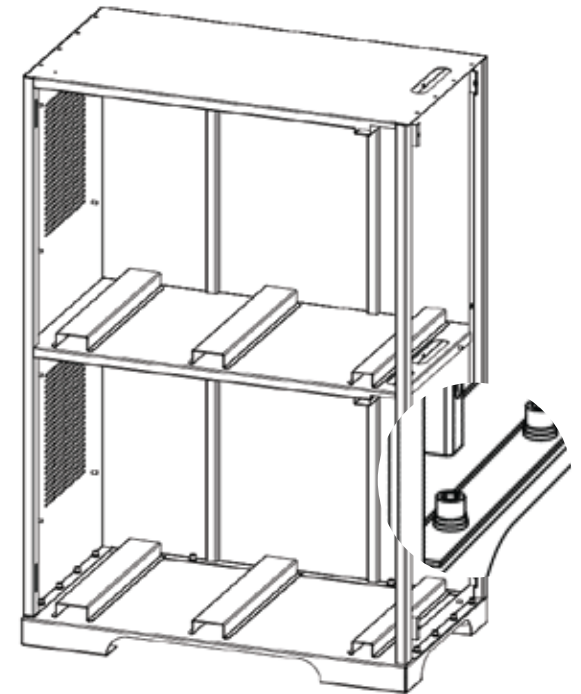
**2** Install the main body to the base.



**3** Fix the main body and the base by 10 screws.

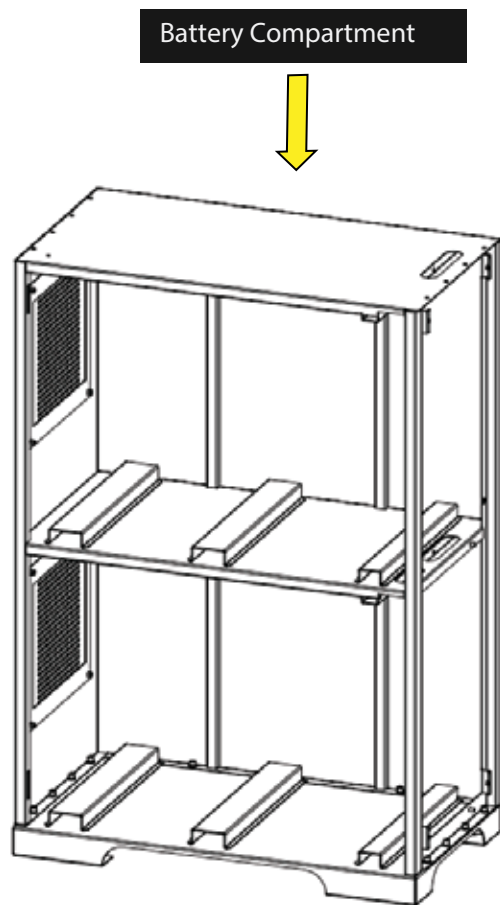


**4** Tighten the screws.

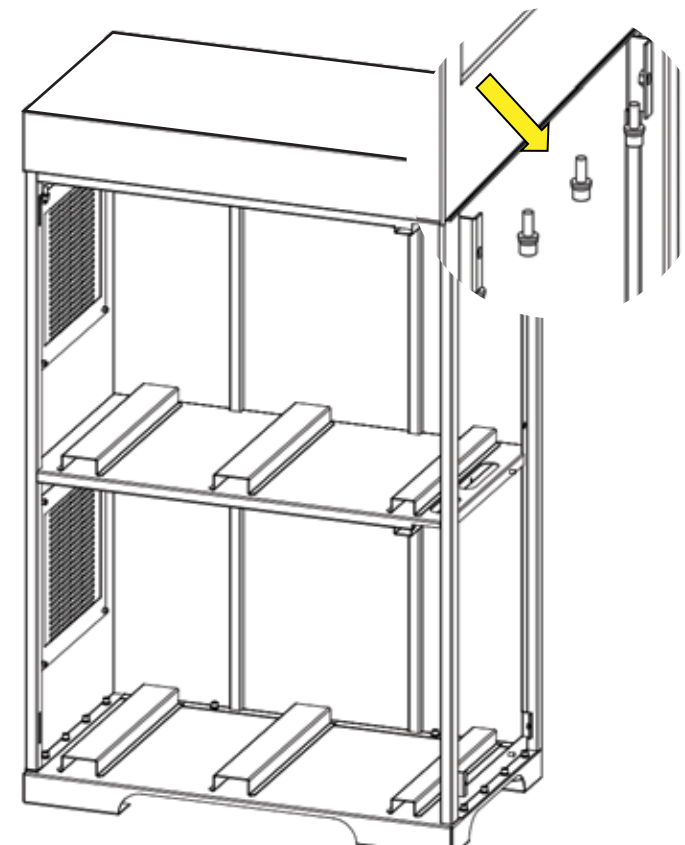


# Installing the top cabinet

- 1 Install the cable box to the top of the main body.

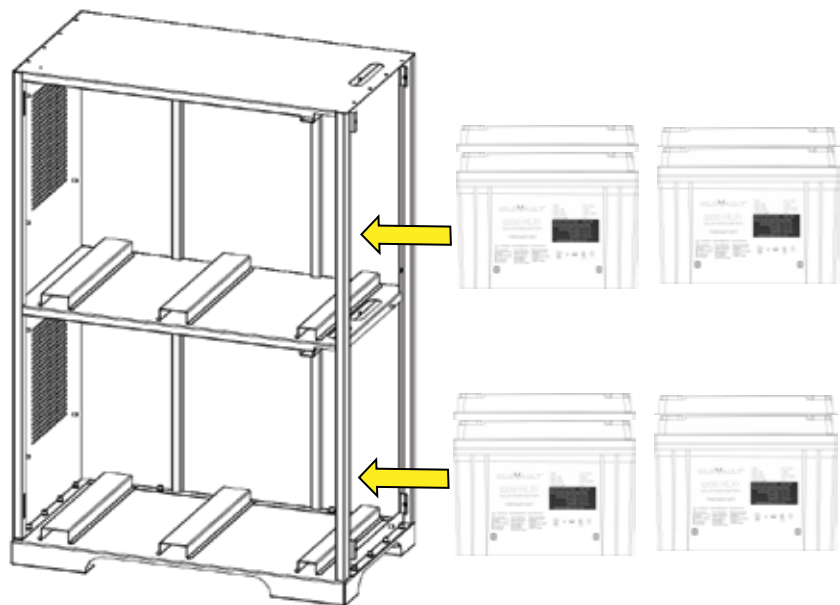


- 2 Tighten the screws.

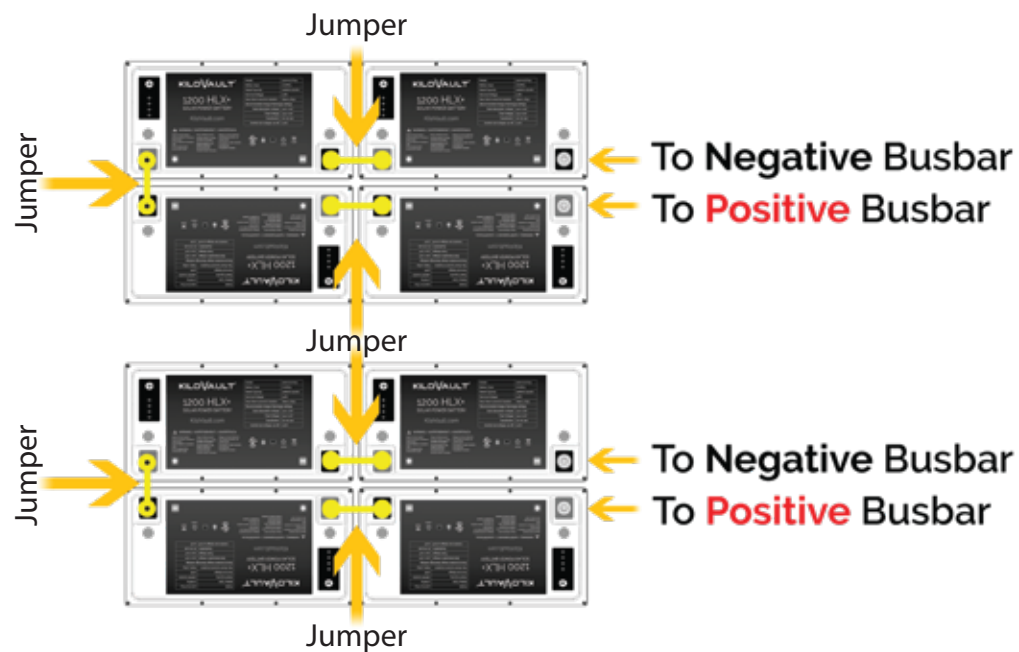


# Installing the Batteries (Uniti Eco Freedom)

1 Each level holds (4) HLX+ Batteries.



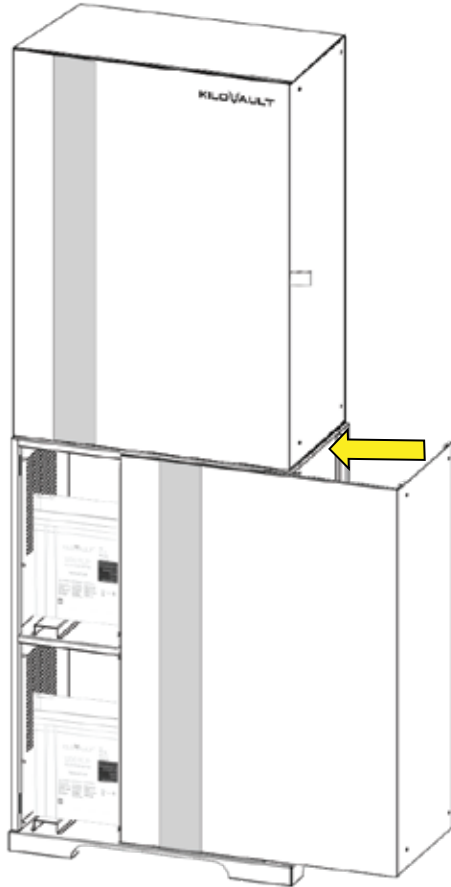
1 Each Level are connected in series.



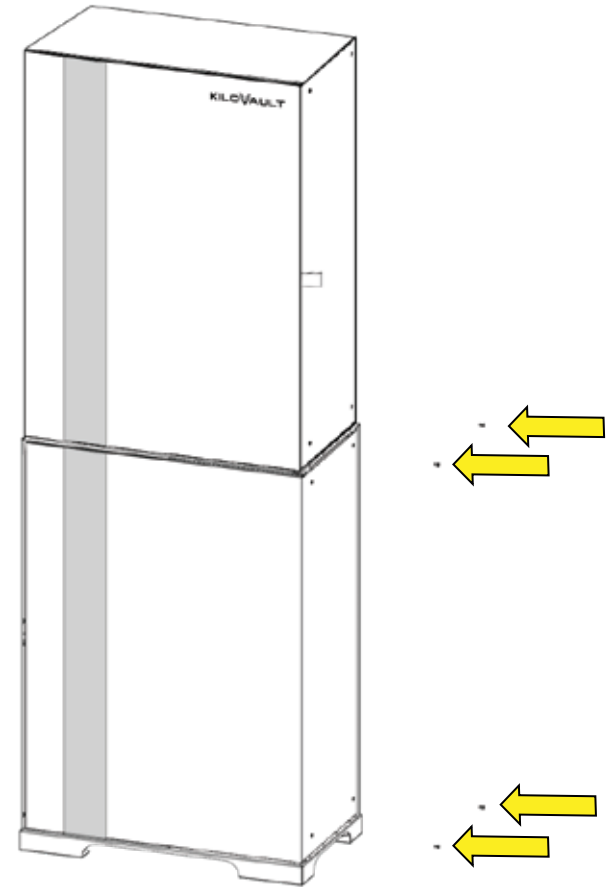
- Ensure critical or primary load center is de-energized or disconnected.
- Ensure AC source is de-energized or disconnected.
- Ensure all breakers are off.

# Install the side cover

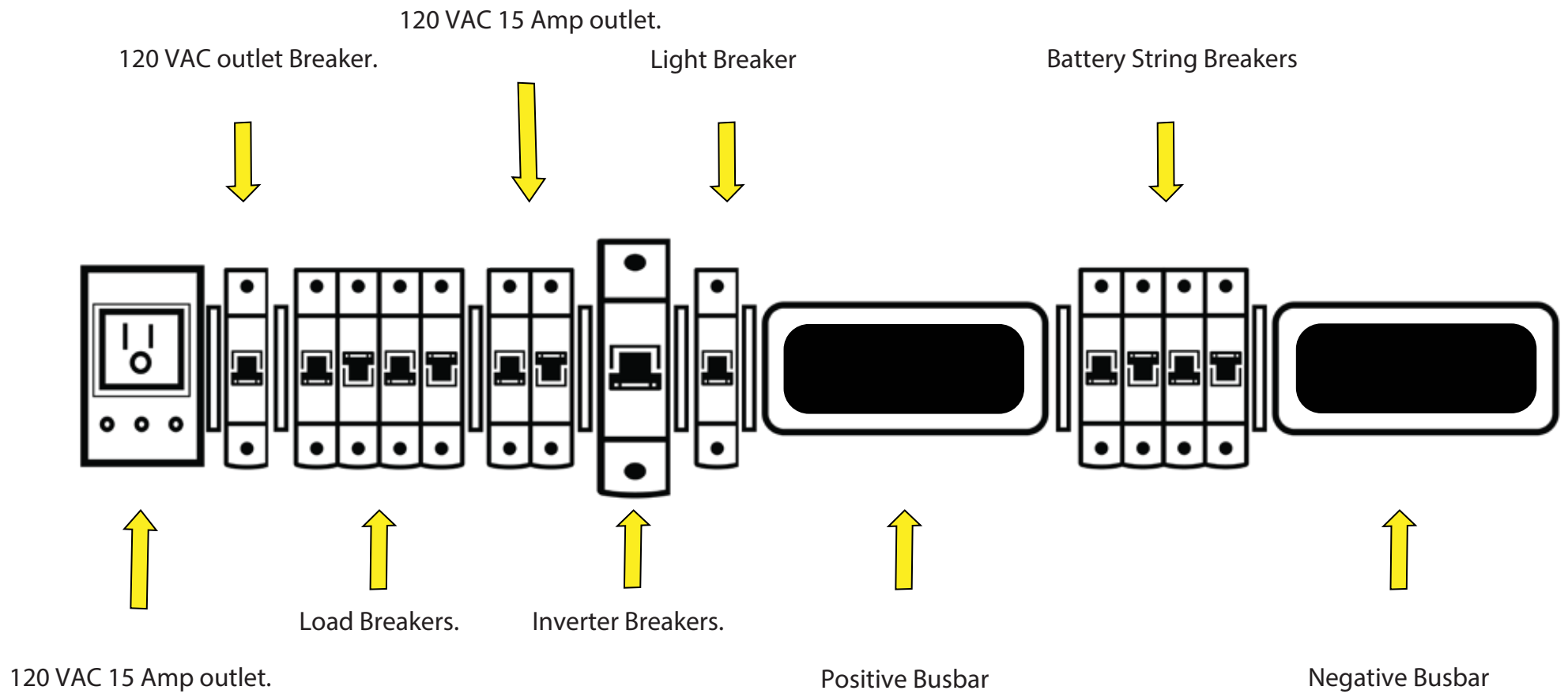
- a. Attach the side cover to the main body. Slide the front cover in.



- b. Secure the side cover using the provided screws.



# Safety Breakers





# Unit Eco Freedom Basic Inverter Settings.

## 01 Output Source Priority

SOL

PV priority mode, switching to the Mains when the PV fails or the battery is lower than the set value of the parameter.

## 02 Output Frequency

60.0 Hz

## 03 AC Input Voltage Range

APL

Wide mains input voltage range of 230V Machine: 90~280V  
Mains input voltage range of 230V machine: 90~280V

## 04 Battery Power to Utility Setpoint

50.8V

When the parameter [01]=SOL/SBU, the battery voltage is higher than set value, and the output is switched from mains to the inverter. Setting range: 44V~52V

## 05 Utility to Battery Power Setpoint

56.0V

When the parameter [01]=SOL/SBU, the battery voltage is higher than set value, and the output is switched from mains to the inverter. Setting range: 48V~60V



- Before operating the Unit be sure to read this Setup Guide and the full users manual..
- Even though the inverter is programed before shipping it is critical to program your inverter or charge controller's settings for correct operation, improper programming of your system equipment may invalidate your battery warranty and could degrade system performance.

# Inverter Settings

## 06 Charge source priority

### SNU Default

PV and Mains hybrid charging: PV charging is a priority, and when the PV energy is insufficient, the Mains charging supplements. When the PV energy is sufficient, the Mains charging stops.

### NOTE:

Only when the Mains bypass output is loaded, the PV charging and the mains charging can work at the same time. When the inverter is in use, only the PV charging can be started.

## 07 Max charger current

### 80A default

Max charger current (AC charger + PV charger)  
Setting range: 0~80A

## 08 Battery Type

### [08]

Use User-defined; all battery parameters can be set.

## 09 Battery Absorption charge voltage

56.4V

## 10 Battery Absorption charge time

5 Minutes

## 11 Battery float charge voltage

53.6V

## 12 Battery over discharge voltage

48V default

## 13 Battery over discharge delay time

5 SEC default

## 14 Battery under voltage alarm

50.4V

## 15 Battery discharge limit voltage

50.0V

## 16 Battery equalization enable

DIS Equalizing charge is disabled



**KiloVault® Uniti Series**

Pre-wired energy storage system

**KiloVault\* LLC**

330 Codman Hill Road Boxborough,

MA 01719 +1(888)218-5924

info@kilovault.com www.kilovault.com



# KiloVault Unit

## USERS GUIDE