

# Energy Meter with Modbus Connection

for North America

SE-MTR240-NN-S-S1

METERING



## Energy Meter for Residential Installations:

- Simple installations and connectivity
- Type NEMA 3R enclosure for outdoor protection
- Provides high accuracy meter readings
- Communicates over RS485 to provide monitoring data
- Suitable for export limitation, consumption monitoring and StorEdge™ applications

# / Energy Meter with Modbus Connection for North America

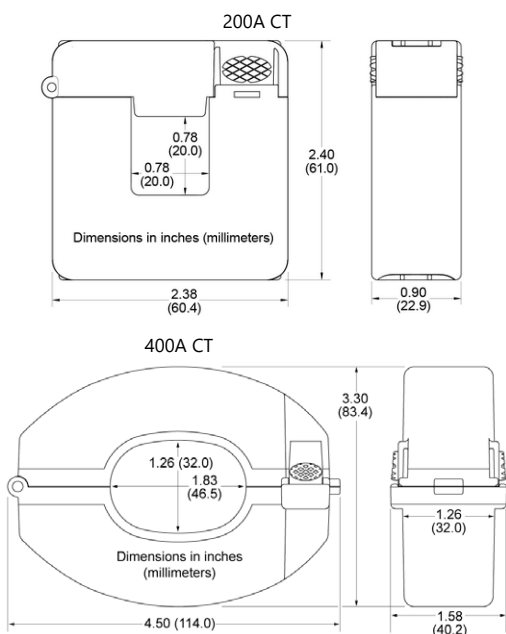
## SE-MTR240-NN-S-S1

SUPPORTED INVERTERS	SINGLE PHASE INVERTERS		UNITS
<b>ELECTRICAL SERVICE</b>			
AC Input Voltage (Nominal)	240		Vac
AC Frequency (Nominal)	60		Hz
Max AC Input Current	100		mA
Connector Type	Terminal block - 22 to 12		AWG
Grids supported	L1 / L2 / N / PE L1 / L2 / PE		
Power Consumption (Nominal)	3		W
<b>METER ACCURACY (@ 77°F / 25°C, PF:0.7- 1)</b>			
1 - 100% of Rated Current CT	±1.0		%
<b>CURRENT TRANSFORMERS<sup>(1)</sup></b>			
Nominal Input (at CT Rated Current)	CT1, CT2: 0.333		Vac RMS
Rated RMS current <sup>(2)</sup>	200	400	A
Dimensions (Internal / External)	0.8 x 0.8; 2.4 x 2.4 / 20 x 20; 61 x 61	1.26 x 1.83; 3.3 x 4.5 / 32 x 46.5; 83.4 x 114	in/mm
<b>STANDARD COMPLIANCE</b>			
Safety	UL 1741:2010 Ed.2(Supplement SA)+R: 07 Sep 2016		
Emissions	FCC 47 CFR Part 15 Subpart B		
<b>ENVIRONMENTAL</b>			
Operating Temperatures	-40 to +140 / -40 to +60		°F / °C
Relative Humidity (noncondensing)	5-90		%
Enclosure type	High impact, ABS and/or ABS/PC plastic UL 94V-0, IEC FV-0		
Protection Rating	NEMA Type 3R		
<b>INSTALLATION SPECIFICATIONS</b>			
Dimensions (HxWxD)	8.1 x 12.4 x 4.6 / 206.6 x 316 x 117.5		in / mm
Weight	3.9 / 1.8		lb / kg
Conduit Entry Diameters	0.75 or 1 / 19 or 25		in
Mounting Type	Bracket mount		

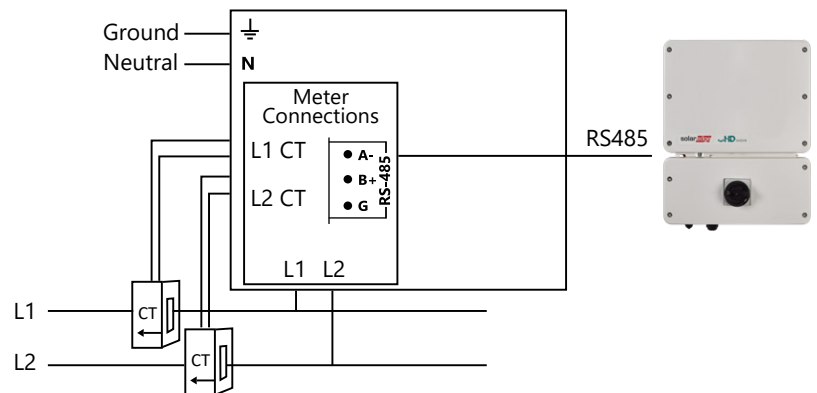
<sup>(1)</sup> Current Transformers should be ordered separately: SEACT0750-200NA-20 (200A) or SEACT1250-400NA-20 (400A), 20 per box

<sup>(2)</sup> For other ratings contact SolarEdge

### Current Transformer Dimensions



### Connecting the Energy Meter



\* Current Transformers (CTs) should be ordered separately: SEACT0750-200NA-20 (200A); SEACT1250-400NA-20 (400A). Each comes in boxes of 20.