

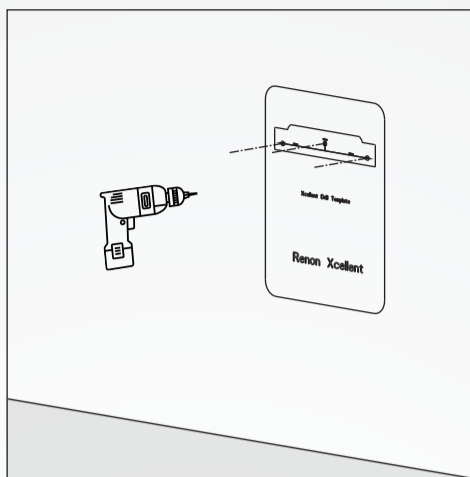
Quick Installation Guide

Household Energy Storage
Xcellent

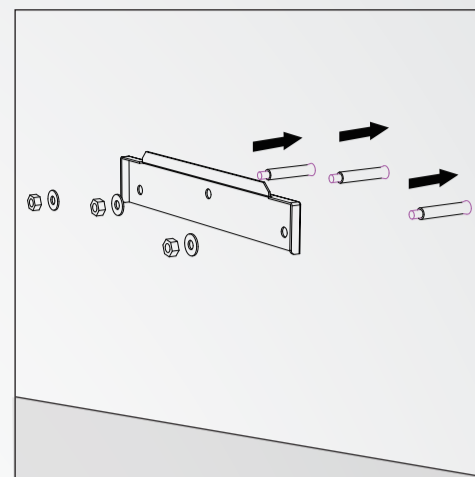


Step 1: Bracket Mounting

I. Use the drill template to help drill holes in the wall.

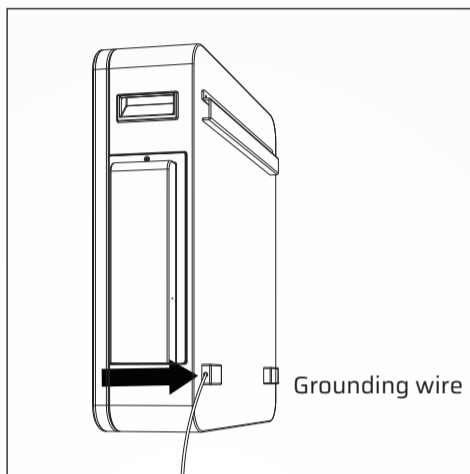


II. Fix the bracket to the wall with expansion screws.

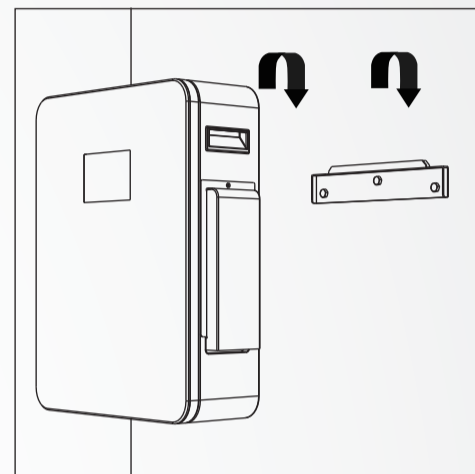


Step 2: Place Battery

I. Connect the grounding wire before hanging the product.

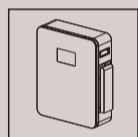


II. Hang Xcellent on the bracket.

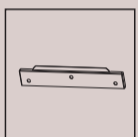


Package Contents

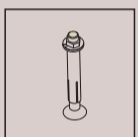
The following items are included in the package:



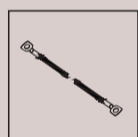
Xcellent *1



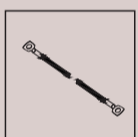
Fixed Panel *1



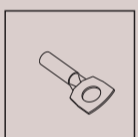
Expansion Screw *3



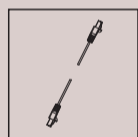
Power Cable-Positive *1



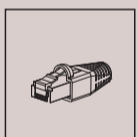
Power Cable-Negative *1



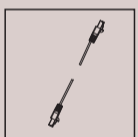
Terminal *2



Communication Cable *1



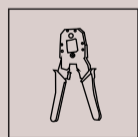
Registered Jack *2



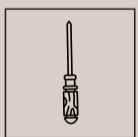
Inverter Communication Cable *1

Tools & Safety Gear Required

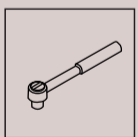
The following tools are required to install the battery pack:



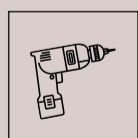
Cable Clamp



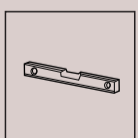
Screwdriver



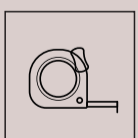
Torque Wrench



Drill

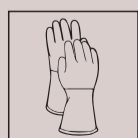


Level Ruler



Tapeline

It is required to wear the following safety gears when handling the battery pack.



Insulated gloves



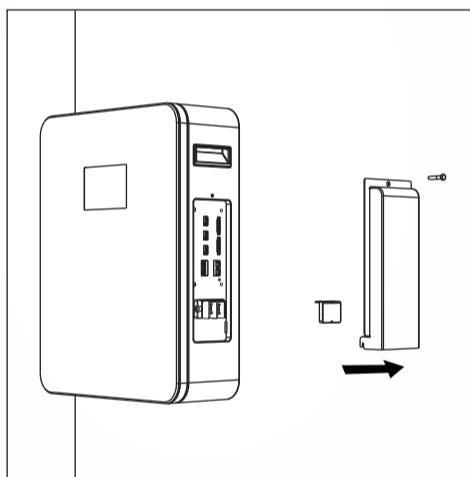
Safety goggles



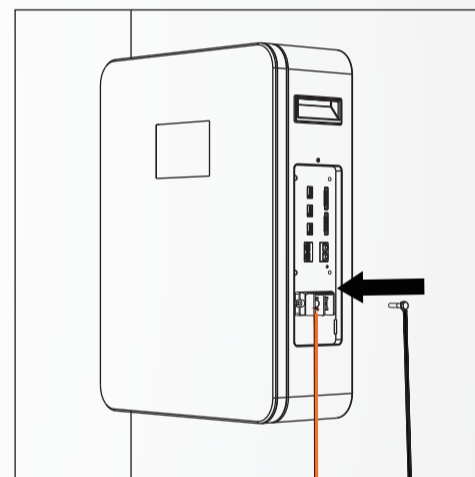
Insulated shoes

Step 3: Cable Connection

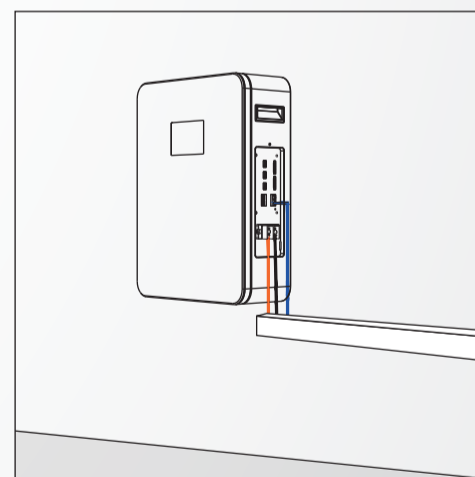
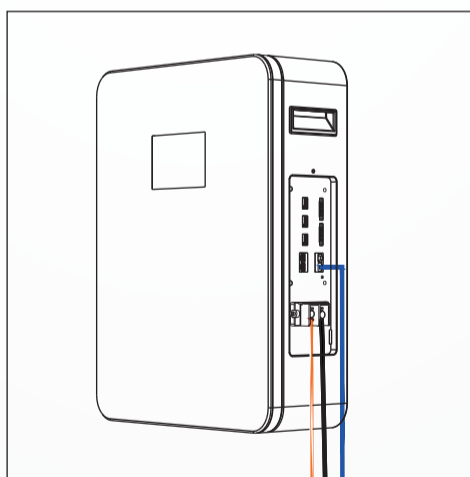
I. Remove the side panel.



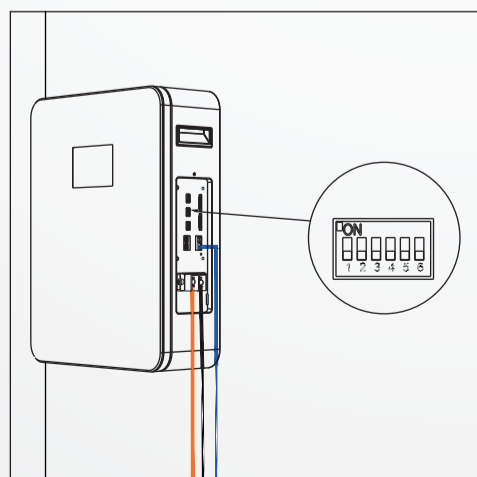
II. Connect the positive and negative power cable to the product correctly as shown in the figure.



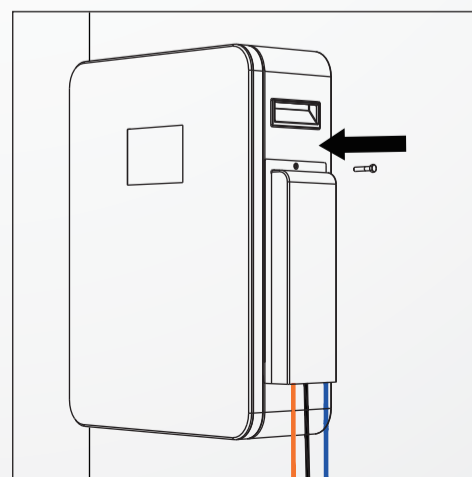
III. Connect the inverter communication cable configured in the package.



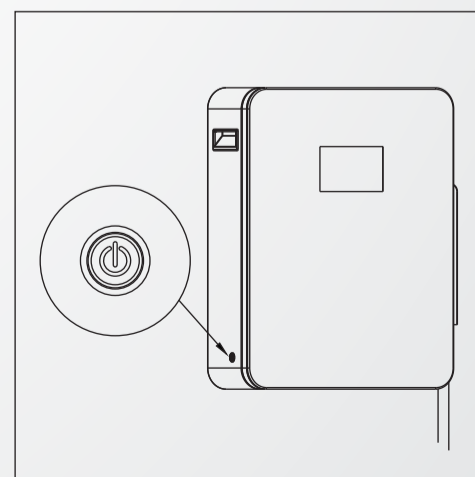
Step 4: Setting & Power On



I. Dial the communications code to the corresponding inverters according to the user manual.



II. Put the side panel back.



III. Power on.